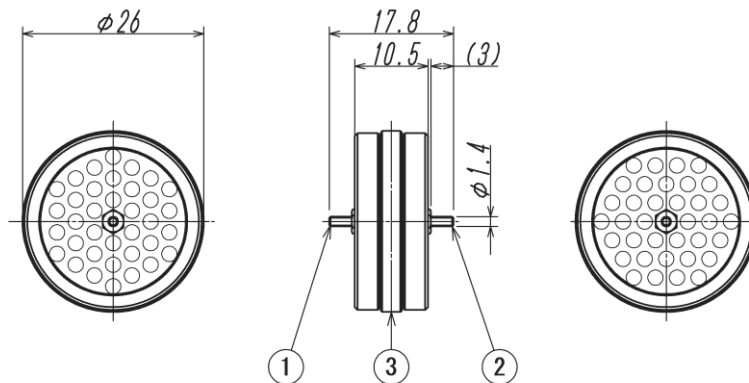
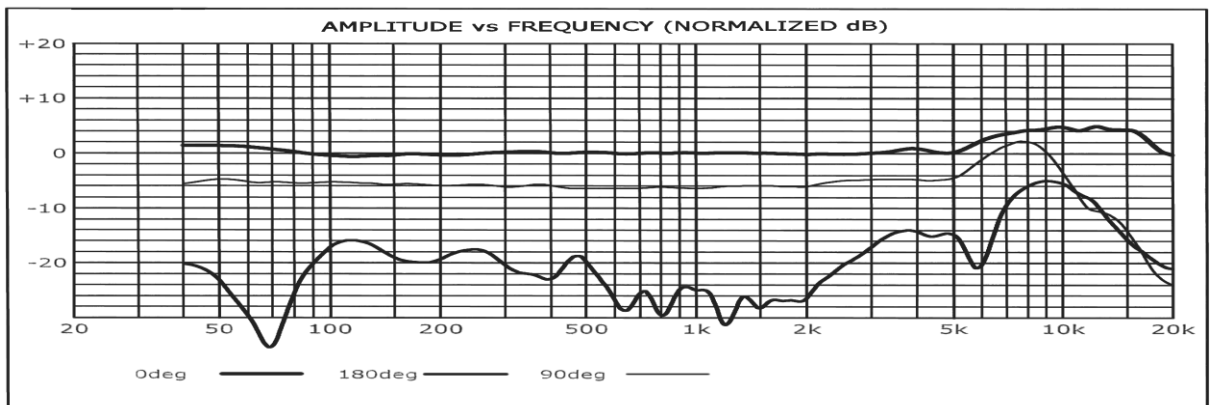


1. Outer Appearance and Dimensions (unit : mm)

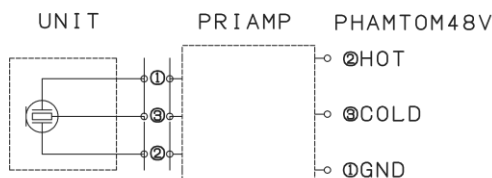


2. Electrical Specifications

- 2-1 Type Condenser
- 2-2 Sensitivity -42dB ±3dB (0dB = 1V / 1Pa)
- 2-3 Frequency Range 50Hz ~ 20kHz
- 2-4 Impedance 100Ω typical at 1kHz (PRIAMP)
- 2-5 Polar Pattern Uni-Directional Bi-Directional Omni-Directional
- 2-6 Power Requirements 48V PHANTOM (PRIAMP)
- 2-7 Current Consumption 2mA typical (PRIAMP)
- 2-8 Maximum Input S. P. L 140dB S.P.L.(at 1kHz 1% T. H. D)
- 2-9 Signal/Noise Ratio 75dB typical (at 1kHz/Pa A-Weighted)
- 2-10 Polarity Positive acoustic Pressure on the diaphragm
Generates a positive phase voltage on OUTPUT
- 2-11 Frequency Response (Uni-Directional)



Measurement Circuit



RevNo.	Date	Revision note	<i>Four-Leaf</i>		