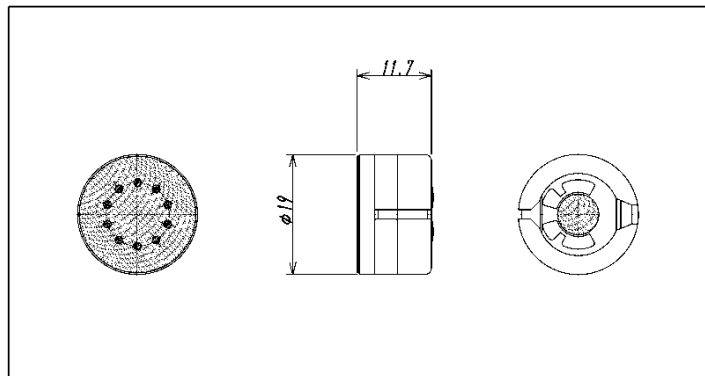


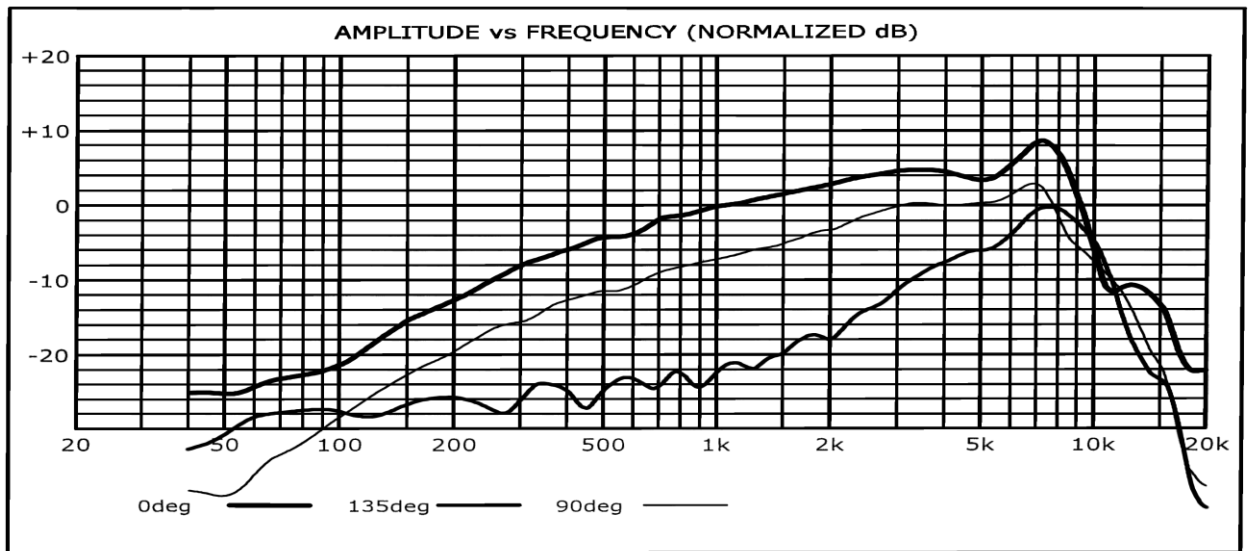
Specification	Model	No	Page
	UDU-19RK-N (230Ω)		1/1

1. Outer Appearance and Dimensions (unit : mm)



2. Electrical Specifications

- 2-1 Type Dynamic (moving coil)
- 2-2 Sensitivity -60dB ±3dB (0dB = 1V / 1Pa)
- 2-3 Frequency Range 200Hz ~ 8kHz
- 2-4 Impedance 230Ω +25% -10% at 1kHz
- 2-5 Polar Pattern Noise-Cancellation (Hyper Cardioid)
- 2-6 Frequency Response



3. Weight 8g

RevNo.	Date	Revision note	Four-Leaf				