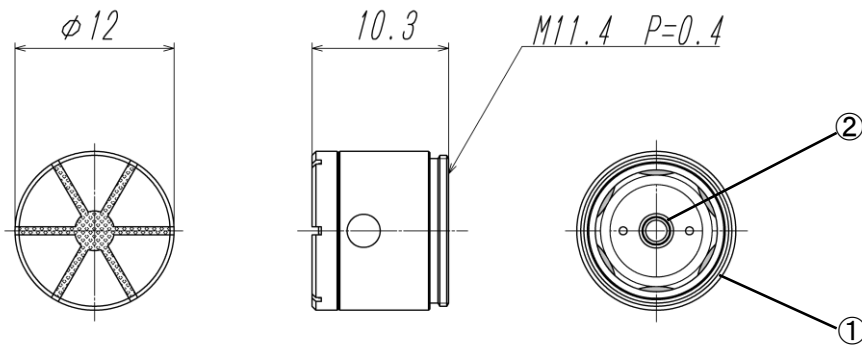
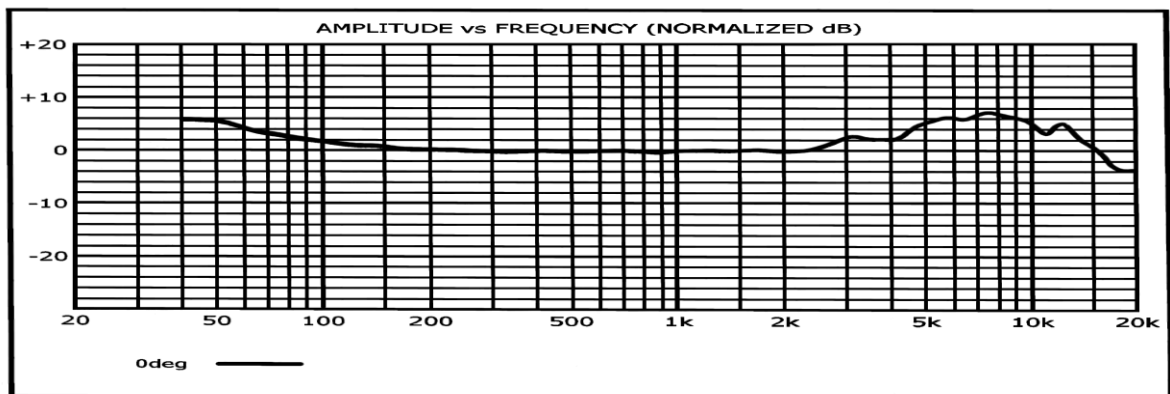


1. Outer Appearance and Dimensions (unit : mm)

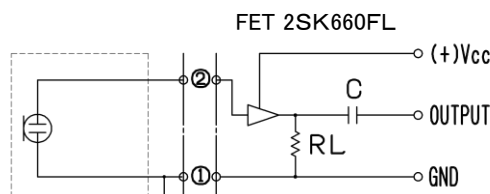


2. Electrical Specifications

- 2-1 Type Back Electret Condenser
- 2-2 Sensitivity  $-43.5\text{dB} \pm 3\text{dB}$  (0dB = 1V / 1Pa)
- 2-3 Frequency Range 50Hz ~ 20kHz
- 2-4 Impedance Smaller than  $2\text{k}\Omega$  at 1kHz (RL = 6.2k $\Omega$ )
- 2-5 Polar Pattern Omni-Directional
- 2-6 Power Requirements 1. 3V~12V Operating Voltage Reference 5V
- 2-7 Current Consumption Less than 500  $\mu\text{A}$
- 2-8 Maximum Input S. P. L 135dB S.P.L.(RL = 11k $\Omega$  at 1kHz 1% T. H. D)
- 2-9 Signal/Noise Ratio More than 67dB (at 1kHz/Pa A-Weighted)
- 2-10 Polarity Positive acoustic Pressure on the diaphragm  
Generates a positive phase voltage on OUTPUT
- 2-11 Frequency Response



Measurement Circuit



RevNo.	Date	Revision note	approval	check	draw

Four-Leaf