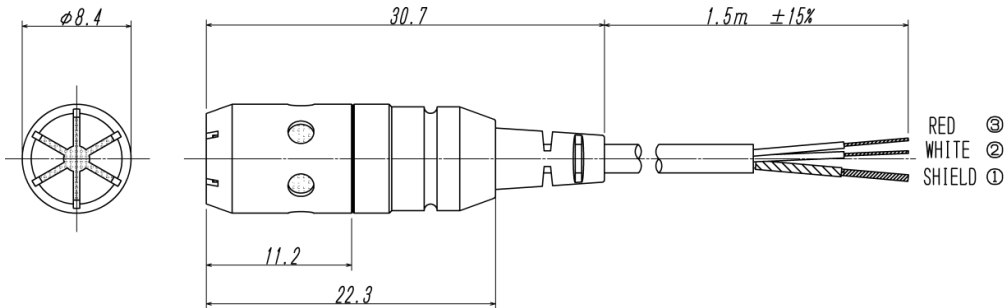
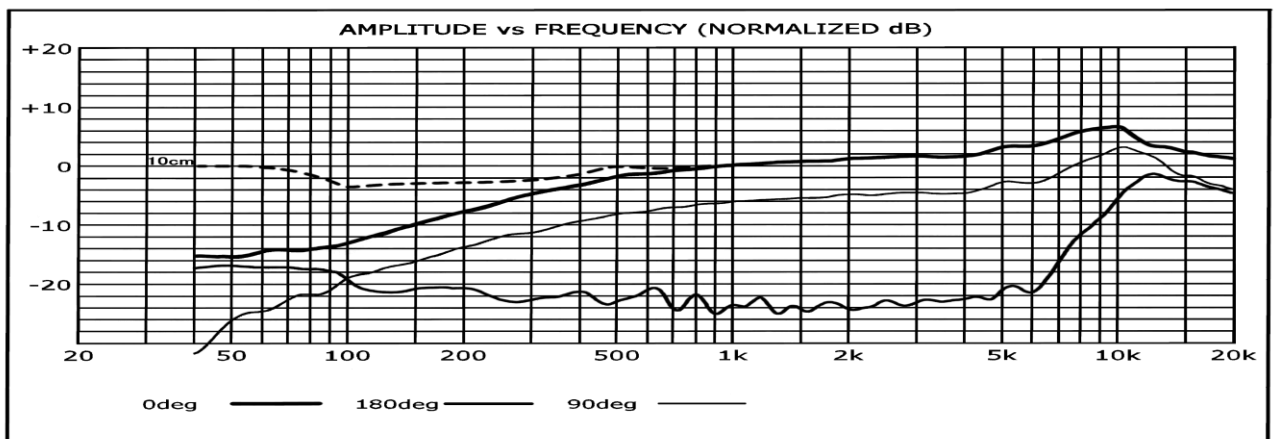


1. Outer Appearance and Dimensions (unit : mm)

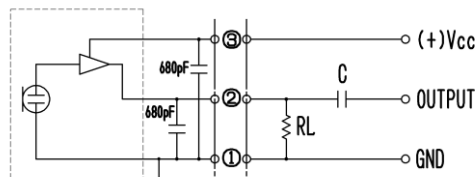


2. Electrical Specifications

- 2-1 Type Back Electret Condenser
- 2-2 Sensitivity $-42dB \pm 3dB$ (0dB = 1V / 1Pa)
- 2-3 Frequency Range 100Hz ~ 20kHz
- 2-4 Impedance $950\Omega \pm 30\%$ at 1kHz (RL = 10k Ω)
- 2-5 Polar Pattern Uni-Directional
- 2-6 Power Requirements 1. 3V~10V Operating Voltage Reference 5V
- 2-7 Current Consumption Less than 500 μ A
- 2-8 Maximum Input S. P. L 130dB SPL (typical at 1kHz 1% T. H. D DC5V RL=10k Ω)
- 2-9 Signal/Noise Ratio 65dB typical (at 1kHz/Pa A-Weighted)
- 2-10 Polarity Positive acoustic Pressure on the diaphragm
Generates a positive phase voltage on OUTPUT
- 2-11 Frequency Response



Measurement Circuit



| RevNo. | Date | Revision note | <i>Four-Leaf</i> | | |
|--------|------|---------------|------------------|--|--|
| | | | | | |
| | | | | | |
| | | | | | |
| | | | | | |